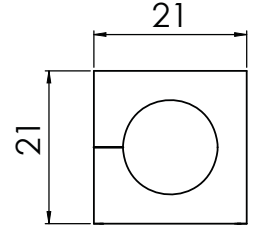




KT

Grommets, small, single



1

Product Description

Cable grommets KT small are used with the following cable entry frames:

KEL-U/KEL-ER/KEL-FG/KEL (8 - 36) | KVT (38 - 42)

The model range KT small is designed for cable diameters from 1 to 17 mm.

Assembly Note

When installing the grommets, the flat side should be facing the middle of the frame. This allows the flat sides of adjacent grommets to match up and provide a secure seal.

Specifications KT gray

Material	Elastomer
Flame class	UL94-Vo
IP rating	KT round, single: up to IP65 (in combination with KEL-ER frame) KT special/blank: IP54
NEMA type rating	up to NEMA type 4X (acc. to UL 50E)
Temperature	- 40°C to + 90°C (static) - 40°F to + 194°F (static)
Properties	Halogen-free, silicone-free

Specifications KT black

Material	Elastomer
Flame class	UL94-HB
IP rating	KT round, single: up to IP65 (in combination with KEL-ER frame) KT special/blank: IP54
NEMA type rating	up to NEMA type 4X (acc. to UL 50E)
Temperature	- 30°C to + 90°C (static) - 40°F to + 194°F (static)
Properties	Higher chemical resistance

Accessories

Description	Type	Order No gray	Order No black	Clamping range	PU
-------------	------	------------------	-------------------	----------------	----

BTK		<input type="checkbox"/> 41251	<input checked="" type="checkbox"/> 41351	Blank grommet	10
KT round	KT 1	<input checked="" type="checkbox"/> 39941	<input checked="" type="checkbox"/> 39943	1 - 2 mm	10
	KT 2	<input type="checkbox"/> 39934	<input checked="" type="checkbox"/> 41302	2 - 3 mm	10
	KT 3	<input type="checkbox"/> 41203	<input checked="" type="checkbox"/> 41303	3 - 4 mm	10
	KT 4	<input type="checkbox"/> 41204	<input checked="" type="checkbox"/> 41304	4 - 5 mm	10
	KT 5	<input type="checkbox"/> 41205	<input checked="" type="checkbox"/> 41305	5 - 6 mm	10
	KT 6	<input type="checkbox"/> 41206	<input checked="" type="checkbox"/> 41306	6 - 7 mm	10
	KT 7	<input type="checkbox"/> 41207	<input checked="" type="checkbox"/> 41307	7 - 8 mm	10
	KT 8	<input type="checkbox"/> 41208	<input checked="" type="checkbox"/> 41308	8 - 9 mm	10
	KT 9	<input type="checkbox"/> 41209	<input checked="" type="checkbox"/> 41309	9 - 10 mm	10
	KT 10	<input type="checkbox"/> 41210	<input checked="" type="checkbox"/> 41310	10 - 11 mm	10
	KT 11	<input type="checkbox"/> 41211	<input checked="" type="checkbox"/> 41311	11 - 12 mm	10
	KT 12	<input type="checkbox"/> 41212	<input checked="" type="checkbox"/> 41312	12 - 13 mm	10
	KT 13	<input type="checkbox"/> 41213	<input checked="" type="checkbox"/> 41313	13 - 14 mm	10
	KT 14	<input type="checkbox"/> 41214	<input checked="" type="checkbox"/> 41314	14 - 15 mm	10
	KT 15	<input type="checkbox"/> 41215	<input checked="" type="checkbox"/> 41315	15 - 16 mm	10
	KTs 16	<input type="checkbox"/> 39901	<input checked="" type="checkbox"/> 39912	16 mm	10
	KTs 17	<input type="checkbox"/> 39900	<input checked="" type="checkbox"/> 39913	17 mm	10
KT oval	KT oval	<input type="checkbox"/> 39930	-	approx. 8 × 4 mm	10
KT tele	KT S1	<input type="checkbox"/> 39931	-		10
KT tele1	KT tele	<input type="checkbox"/> 39929	-	Telephone cable	10
KT tele2	KT tele1	<input type="checkbox"/> 41257	-	Data cable RJ12	10
	KT tele2	<input type="checkbox"/> 41258	-	Data cable RJ10 / RJ45	10

*Only valid for gray product types






KT

Grommets, small, multi



1

Type	Order No gray	Order No black	Clamping range	PU	Description
KT 2 1 NEW	39942	39944	2× Ø 1 mm	10	 KT 2 x
KT 2 2	39935	39936	2× Ø 2 mm	10	
KT 2 3	39939	39940	2× Ø 3 mm	10	
KT 2 4	39906	39907	2× Ø 4 mm	10	
KT 2 5	41200	39904	2× Ø 5 mm	10	
KT 2 6	41201	39905	2× Ø 6 mm	10	
KT 2 7	41202	39916	2× Ø 7 mm	10	
KT 2 8	39917	39918	2× Ø 8 mm	10	
KT 4 2	39937	39938	4× Ø 2 mm	10	 KT 4 x
KT 4 3	39914	39915	4× Ø 3 mm	10	
KT 4 4	39909	39911	4× Ø 4 mm	10	
KT 4 5	39908	39910	4× Ø 5 mm	10	
KT 4 6	39932	39933	4× Ø 6 mm	10	
KT-ASI	39902	39903	1 ASI-cable	10	
KT-ASI2 rl	39922	39924	2 ASI-cables	10	
KT-ASI2 ll	39921	39923	2 ASI-cables	10	
					 KT ASI2 ll

Product Description

Cable grommets KT small are used with the following cable entry frames:

KEL-U/KEL-ER/KEL (8 - 34) | KVT (38 - 42)

The model range KT small is designed for cable diameters from 1 to 17 mm.

Assembly Note

When installing the grommets, the flat side should be facing the middle of the frame. This allows the flat sides of adjacent grommets to match up and provide a secure seal.

Specifications KT gray

Material	Elastomer
Flame class	UL94-Vo
IP rating	KT round, multi: IP54 KT special, multi: IP54
NEMA type rating	NEMA type 12 (acc. to UL 50E)
Temperature	- 40°C to + 90°C (static) - 40°F to + 194°F (static)
Properties	Halogen-free, silicone-free

Specifications KT black

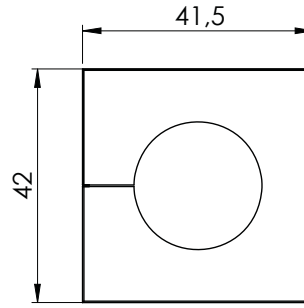
Material	Elastomer
Flame class	UL94-HB
IP rating	KT round, multi: IP54 KT special, multi: IP54
NEMA type rating	NEMA type 12 (acc. to UL 50E)
Temperature	- 30°C to + 90°C (static) - 40°F to + 194°F (static)
Properties	Higher chemical resistance

Accessories

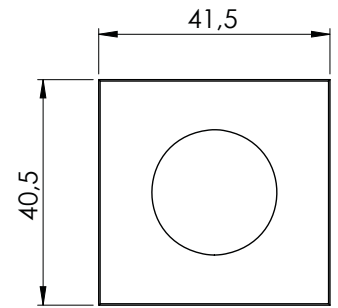
*Only valid for gray product types

KT

Grommets, large



KT / KT-DPF large



KTMB large



1

Product Description

Cable grommets KT large accept a wide range of cable diameters from 16 to 35 mm. They are used with the following cable entry frames:

KEL-U/KEL-ER/KEL-FG/KEL (8 - 36) | KVT (38 - 42)

ATG adapter grommets provide the possibility to hold a small KT grommet to reduce the clamping range down to 1 mm.

Specifications KT gray

Material	Elastomer
Flame class	UL94-Vo
IP rating	KT round, single: up to IP65 (in combination with KEL-ER frame) ATG/BTG: IP54
NEMA type rating	up to NEMA type 4X (acc. to UL 50E)
Temperature	- 40°C to + 90°C (static) - 40°F to + 194°F (static)
Properties	Halogen-free, silicone-free

Specifications KT black

Material	Elastomer
Flame class	UL94-HB
IP rating	KT round, single: up to IP65 (in combination with KEL-ER frame) ATG/BTG: IP54
NEMA type rating	up to NEMA type 4X (acc. to UL 50E)
Temperature	- 30°C to + 90°C (static) - 40°F to + 194°F (static)
Properties	Higher chemical resistance

Description	Type	Order No. gray	Order No. black	Clamping range	PU
-------------	------	----------------	-----------------	----------------	----

ATG		ATG	<input type="checkbox"/> 41253 <input checked="" type="checkbox"/> 41353	Adapter grommet	10
BTG		BTG	<input type="checkbox"/> 41252 <input checked="" type="checkbox"/> 41352	Blank grommet or 5 - 20 mm	10
KT round		KT 16	<input type="checkbox"/> 41216 <input checked="" type="checkbox"/> 41316	16 - 17 mm	10
		KT 17	<input type="checkbox"/> 41217 <input checked="" type="checkbox"/> 41317	17 - 18 mm	10
		KT 18	<input type="checkbox"/> 41218 <input checked="" type="checkbox"/> 41318	18 - 19 mm	10
		KT 19	<input type="checkbox"/> 41219 <input checked="" type="checkbox"/> 41319	19 - 20 mm	10
		KT 20	<input type="checkbox"/> 41220 <input checked="" type="checkbox"/> 41320	20 - 21 mm	10
		KT 21	<input type="checkbox"/> 41221 <input checked="" type="checkbox"/> 41321	21 - 22 mm	10
		KT 22	<input type="checkbox"/> 41222 <input checked="" type="checkbox"/> 41322	22 - 23 mm	10
		KT 23	<input type="checkbox"/> 41223 <input checked="" type="checkbox"/> 41323	23 - 24 mm	10
		KT 24	<input type="checkbox"/> 41224 <input checked="" type="checkbox"/> 41324	24 - 25 mm	10
		KT 25	<input type="checkbox"/> 41225 <input checked="" type="checkbox"/> 41325	25 - 26 mm	10
		KT 26	<input type="checkbox"/> 41226 <input checked="" type="checkbox"/> 41326	26 - 27 mm	10
		KT 27	<input type="checkbox"/> 41227 <input checked="" type="checkbox"/> 41327	27 - 28 mm	10
		KT 28	<input type="checkbox"/> 41228 <input checked="" type="checkbox"/> 41328	28 - 29 mm	10
		KT 29	<input type="checkbox"/> 41229 <input checked="" type="checkbox"/> 41329	29 - 30 mm	10
		KT 30	<input type="checkbox"/> 41230 <input checked="" type="checkbox"/> 41330	30 - 31 mm	10
		NEW KT 31	<input type="checkbox"/> 41231 <input checked="" type="checkbox"/> 41331	31 - 32 mm	10
		KT 32	<input type="checkbox"/> 41232 <input checked="" type="checkbox"/> 41332	32 - 33 mm	10
		NEW KT 33	<input type="checkbox"/> 41233 <input checked="" type="checkbox"/> 41333	33 - 34 mm	10
		KT 34	<input type="checkbox"/> 41234 <input checked="" type="checkbox"/> 41334	34 - 35 mm	10

*Only valid for gray product types

KVT-EMC

EMC Bracket for Cable Glands



Type

Order No.

Shield diameter

PU

KVT-EMC-25|SKL 1.5-3

37180.1

1.5 - 3 mm

5

KVT-EMC-25|SKL 3-6

37180.2

3 - 6 mm

5

KVT-EMC-25|SKL 6-8

37180.3

6 - 8 mm

5

KVT-EMC-25|SKL 8-11

37180.4

8 - 11 mm

5

KVT-EMC-32|SKL 1.5-3

37181.1

1.5 - 3 mm

5

KVT-EMC-32|SKL 3-6

37181.2

3 - 6 mm

5

KVT-EMC-32|SKL 6-8

37181.3

6 - 8 mm

5

KVT-EMC-32|SKL 8-11

37181.4

8 - 11 mm

5

Product Description

The KVT-EMC brackets in combination with the split cable glands KVT and QVT combine routing, EMC shield grounding and strain relief. The connection to the ground potential is possible via the enclosure wall or a grounding tape.

Cables pass through the split cable glands and lead directly into the EMC clamps.

Separate functions (according to regulations) carried out quickly and easily!

Advantages & Benefits

- Simple and tool free assembly
- Large contact area
- Subsequent assembly possible
- Additional M5 hole for ground strap

Specifications

Material Carbon steel, zinc plated

Compatible with

KVT Split cable glands 38 - 42
QVT Split cable glands 52

KGM | GMT

Locknuts



Type KGM: Standard nut, plastic

Product Description

Hexagonal locknut with metric threads for attaching components together.

For routing SUB-D, DVI or PROFIBUS connectors in combination with the split cable glands KVT / QVT, special locknuts with cut-outs are required:

KGM-SUB-D9 fits D-Sub 9 connectors
(Required wall cut-out: Ø 36 mm)

KGM-PB fits DVI and PROFIBUS connectors
(Required wall cut-out: Ø 42 mm)

KGM-SUB-D25 fits SUB-D25 connectors
(Required wall cut-out: Ø 50 mm)

Split hexagonal locknuts GMT for use in combination with split cable glands KVT/QVT whenever pre-terminated cables are routed inside cable protection conduits through a machine or enclosure wall. Suitable for split corrugated conduits CONFIX WST.



Wrenches for M75/M85 Plastic Locknuts

For mounting the new KEL-DPF sizes we offer suitable wrenches with widths for M75 and M85 plastic locknuts. Material: aluminum

M75: Order No.61436 | M85: Order No. 61437 | PU: 1

Thread	Type	Order No.	Material	Height [mm]	Wrench size	Diagonal [mm]	Cut-out a×b[mm]	PU
--------	------	-----------	----------	-------------	-------------	---------------	-----------------	----

Type KGM: Standard nut, plastic

M16 × 1.5	KGM 16	<input type="checkbox"/> 52272	PA	4.3	SW 22.8	28.2	-	10
M20 × 1.5	KGM 20	<input type="checkbox"/> 52273 <input checked="" type="checkbox"/> 52283	PA	7	SW 26	28.2	-	10
M25 × 1.5	KGM 25	<input type="checkbox"/> 52274 <input checked="" type="checkbox"/> 52284	PA	7	SW 32	36	-	10
M32 × 1.5	KGM 32	<input type="checkbox"/> 52275 <input checked="" type="checkbox"/> 52285	PA	7	SW 41	46	-	10
M40 × 1.5	KGM 40	<input type="checkbox"/> 52276 <input checked="" type="checkbox"/> 52286	PA	7	SW 50	56	-	10
M50 × 1.5	KGM 50	<input type="checkbox"/> 52277 <input checked="" type="checkbox"/> 52287	PA	8.5	SW 60	66	-	10
M63 × 1.5	KGM 63	<input type="checkbox"/> 52278 <input checked="" type="checkbox"/> 52288	PA	8.5	SW 75	83	-	5
M75 × 1.5	KGM 75	<input checked="" type="checkbox"/> 52289	PA	8.5	SW 85	93.1	-	5
M85 × 2	KGM 85	<input checked="" type="checkbox"/> 52290	PA	10	SW 100	109.5	-	5

KGM | GMT

Locknuts



Type KGM: SUB-D9, PB, SUB-D25



Type GMT: Split locknut



Thread	Type	Order No.	Material	Height [mm]	Wrench size	Diagonal [mm]	Cut-out a×b[mm]	PU
--------	------	-----------	----------	-------------	-------------	---------------	-----------------	----



Type KGM: PB, SUB-D9, SUB-D25

M32 × 1.5	KGM-SUB-D9	 45105	PC	7	SW 41	46	35 × 16	10
		 45106						
M40 × 1.5	KGM-PB	 45107	PC	8	SW 50	55	43 × 17	10
		 45109						
M50 × 1.5	KGM-SUB-D25	 45108	PC	8	SW 60	66	55 × 16	10
		 45110						

Type GMT: Split locknut

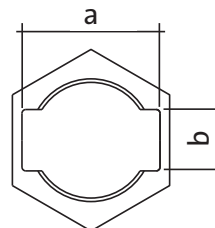
M20 × 1.5	GMT 20	 31110	PA	9	SW 27	29	-	10
M25 × 1.5	GMT 25	 31100	PA	9	SW 32	35	-	10
M32 × 1.5	GMT 32	 31120	PA	12	SW 40	44	-	10
M50 × 1.5	GMT 50	 31140	PA	15	SW 63	69	-	10

Specifications

Material	Polyamide (PA) / Polycarbonate (PC)
Color	 gray (similar RAL 7035)  black
Flame class	UL94-Vo, self-extinguishing
Temperature	- 30°C to + 120°C
Properties	Halogen free, silicone free

Compatible with

KVT, KVT-SNAP, KVT-W90	
Split cable glands	38 - 42
QVT Split cable glands	52
KEL-DPZ Cable entry plates	72 - 73
KEL-DPF Cable entry grommets	79

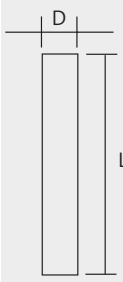


ST

Plugs for Cable Grommets



Type	Order No.	Diameter D	Length L	PU	Description
------	-----------	---------------	-------------	----	-------------

ST 1	42900	1 mm	25 mm	25	
ST 2	42909	2 mm	25 mm	25	
ST 3	42901	3 mm	25 mm	25	
ST 4	42908	4 mm	25 mm	25	
ST 5	42906	5 mm	25 mm	25	
ST 6	42903	6 mm	25 mm	25	
ST 7	42905	7 mm	25 mm	25	
ST 8	42899	8 mm	20 mm	25	
ST 9	42897	9 mm	20 mm	25	
ST 10	42895	10 mm	20 mm	25	
ST 11	42893	11 mm	20 mm	25	
ST 12	42891	12 mm	20 mm	25	
ST 13	42889	13 mm	20 mm	25	
ST 14	42887	14 mm	20 mm	25	
ST 15	42885	15 mm	20 mm	25	
ST 16	42883	16 mm	20 mm	25	
ST 17	42881	17 mm	20 mm	25	
ST ASI	42877	-	25 mm	25	

Product Description

Plugs are used to close either KT or QT grommets which are not equipped with cables. IP ratings of the grommets remain.

Perfect for applications where cables have been removed or might be routed at a later stage.

Advantages & Benefits

- Sealing unused cable grommets

Specifications

Material	Polyamide (PA), white
Flame class	UL94-Vo
IP rating	IP rating of grommets remains
NEMA type rating	NEMA type 12 (acc. to UL 50E)
Temperature	- 40°C to + 120°C - 40°F to + 248°F
Properties	Halogen-free, silicone-free

Compatible with

KT Cable grommets	44 - 46
QT Cable grommets	56 - 57